

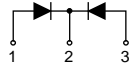
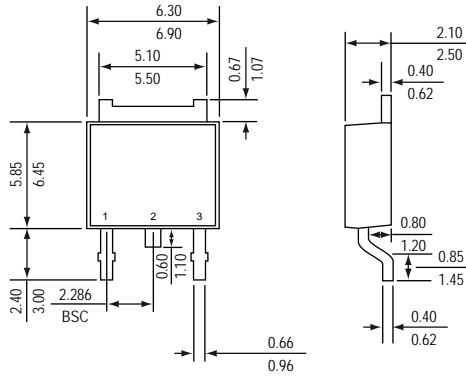


MBR20100CDSH SCHOTTKY BARRIER RECTIFIER

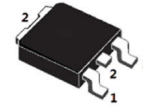
Reverse Voltage - 100 Volts

Forward Current - 20 Amperes

DPAKM



*Dimensions in millimeters



FEATURES

- * Compliance to RoHS product
- * Low power loss & high efficiency
- * High surge capability
- * Low switching noise
- * High current capability
- * Guard ring protection

MECHANICAL DATA

Case : DPAKM molded plastic body

Terminals : Plated Leads, solderable per
MIL-STD-750, Method 2026

MAXIMUM RATINGS AND ELECTRICAL CHARACTERISTICS

Ratings at 25 °C ambient temperature unless otherwise specified.	SYMBOLS	Rating	UNITS
Maximum repetitive peak reverse voltage	VRRM	100	Volts
Maximum RMS voltage	VRMS	70	
Maximum DC blocking voltage	VDC	100	
Maximum average forward rectified current	I (AV)	20	Amps
Peak forward surge current 8.3ms single half sine-wave superimposed on rated load (JEDEC Method)	IFSM	150	Amps
Maximum instantaneous forward voltage @ IF= 10 A TA=25°C	VF	0.85	Volts
Maximum DC reverse current @TA=25°C at rated DC blocking voltage @TA=125°C	IR	0.1 10	mA
Typical thermal resistance	R JA	22	/ W
Operating junction temperature	TJ	150	
Storage temperature range	TSTG	-65 to +150	

Note : Preliminary specification

RATINGS AND CHARACTERISTIC CURVES

FIG.1 - FORWARD CURRENT DERATING CURVE

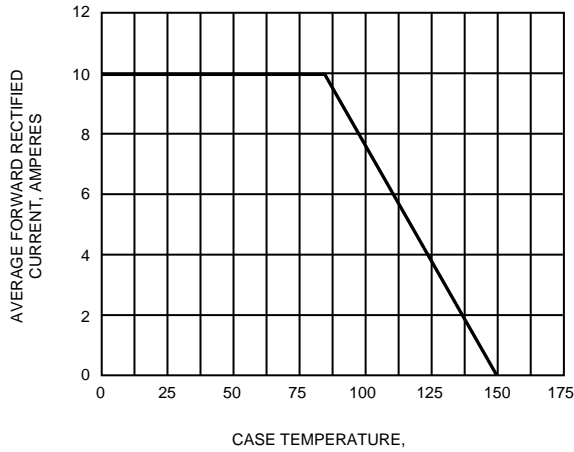


FIG.2 - MAXIMUM NON-REPETITIVE PEAK FORWARD SURGE CURRENT

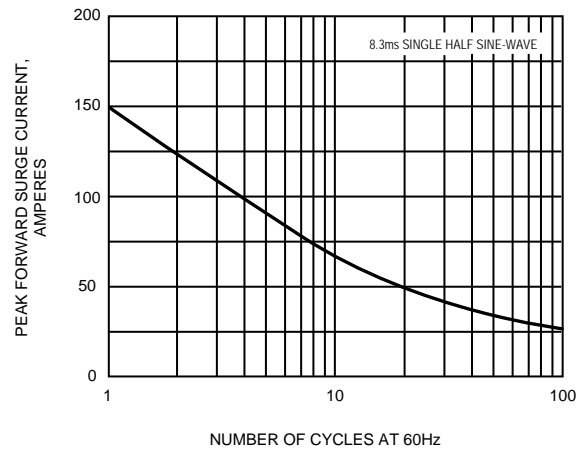


FIG.3 - TYPICAL INSTANTANEOUS FORWARD CHARACTERISTICS

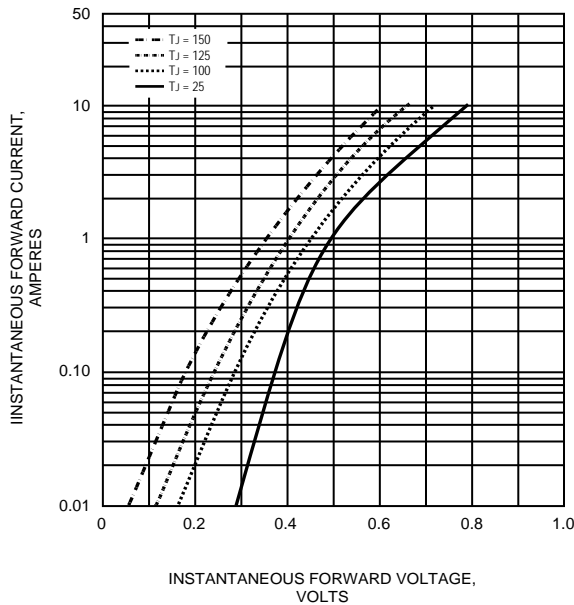


FIG.4 - TYPICAL REVERSE CHARACTERISTICS

